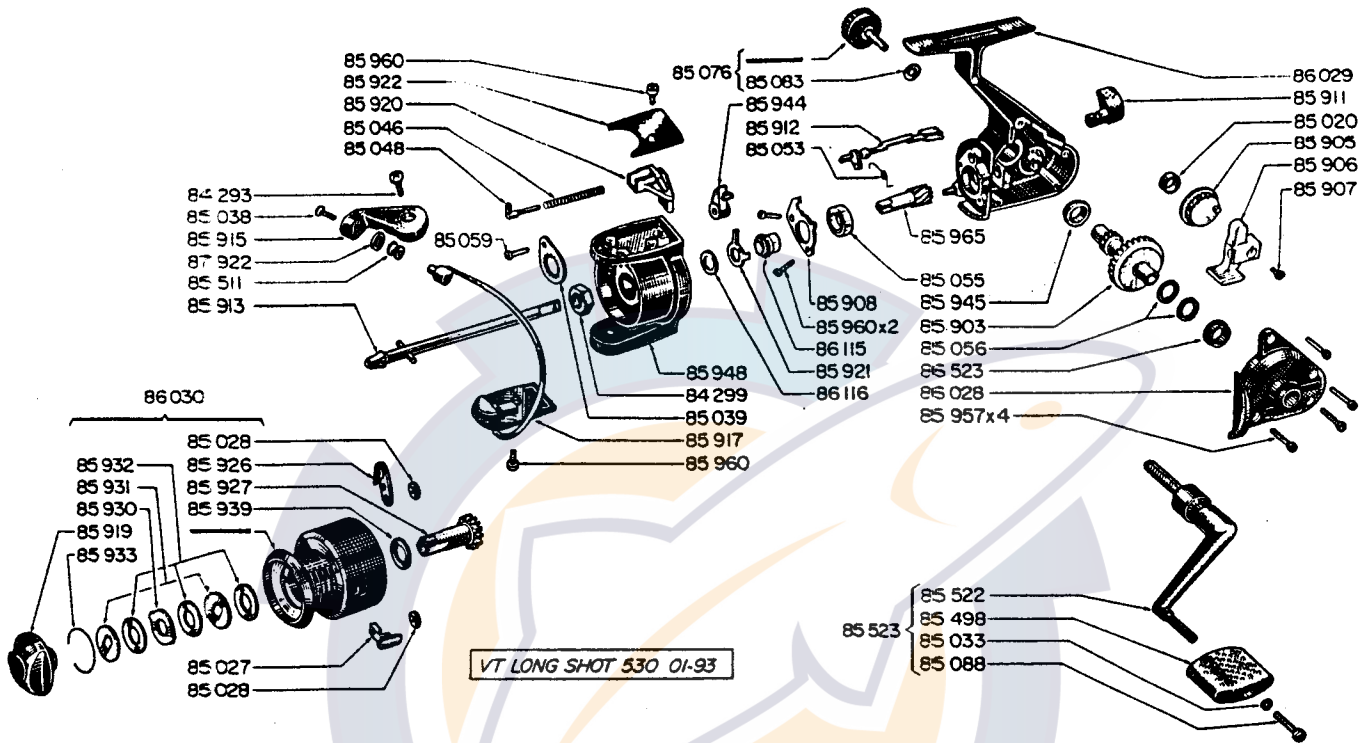


MITCHELL®

530 Long shot



Part No.	Description	Part No.	Description
8429300	BAIL ARM SCREW	8591300	AXLE
8429900	ROTATING HEAD HEX NUT	8591500	BAIL ARM
8502000	CROSS WIND BUSHING	8591700	BAIL WIRE W/ COVER PLATE
8502700	LINE CLIP	8591900	DRAG KNOB
8502800	RETAINING CLIP	8592000	TRIP LEVER
8503300	HANDLE KNOB WASHER	8592100	ANTI-REVERSE FRICTION
8503800	LINE GUIDE SCREW	8592200	COVER PLATE N1
8503900	HEX NUT LOCKING RING	8592600	SPOOL CLICK
8504600	BAIL SPRING	8592700	SPOOL SPINDLE
8504800	BAIL SPRING PIN	8593000	EARED DRAG WASHER
8505300	ANTI-REVERSE SHAFT SPRING	8593100	KEYED DRAG WASHER
8505500	BALL BEARING	8593200	DRAG WASHER
8505600	SHIM - DRIVE GEAR	8593300	DRAG RETAINER
8505900	MOUNTING SCREW	8593900	BASE DRAG WASHER
8507600	HANDLE CAP SCREW W/ WASHER	8594400	ANTI-REVERSE DOG
8508300	CAP SCREW WASHER	8594500	HOUSING BUSHING
8508800	HANDLE KNOB SCREW	8594800	ROTATING HEAD
8549800	HANDLE KNOB	8595700	SIDE PLATE WASHER
8551100	LINE GUIDE	8596000	RETAINING SCREW
8552200	HANDLE ARM	8596500	PINION GEAR
8552300	HANDLE	8602800	SIDE PLATE
8590300	DRIVE GEAR	8602900	HOUSING
8590500	CROSS WIND GEAR	8603000	SPOOL
8590600	OSCILLATION SLIDE	8611500	AR FRICTION BUSHING
8590700	OSCILLATION SLIDE SCREW	8611600	AR FRICTION WASHER
8590800	BEARING RETAINER	8652300	BUSHING
8591100	ANTI-REVERSE BUTTON	8792200	LINE GUIDE RACE
8591200	ANTI-REVERSE SHAFT		